



# BRUNO

Product and Packaging Dimensions

Bruno Sofa Bed

Bruno Chaise Longue

Bruno Chair Bed

Bruno Ottoman Storage

Bruno Ottoman Bed

Bruno Ottoman Bed with Storage

Bruno Upholstered Bed

Bruno 'Berlin' Metal Bed

Bruno Mattress und Topper

[www.brunonterior.co.uk](http://www.brunonterior.co.uk)

# The Bruno Sofa Bed

## Dimensions

### Classic and Cube Armrests



— 2-Seater: 140 cm (4'6) // 3-Seater: 160 cm (5'3) —

— 2-Seater: 180 cm (5'9) // 3-Seater: 200 cm (6'6) —

### Slim Armrests



— 2-Seater: 160 cm (5'3) // 3-Seater: 180 cm (5'9) —



## Packaging dimensions (identical for all armrest models)

### Sofa Bed 2-Seater:

**Corpus:** 155 x 70 x 95 cm (5'1 x 2'3 x 3'1); 69 kg  
**Accessories box:** 96 x 40 x 63 cm (3'1 x 1'3 x 2'0); 24 kg

### Sofa Bed 3-Seater:

**Corpus:** 175 x 70 x 95 cm (5'7 x 2'3 x 3'1); 79 kg  
**Accessories box:** 96 x 40 x 63 cm (3'1 x 1'3 x 2'0); 24 kg

# The Bruno Chaise Longue

## Dimensions

### Classic and Cube armrests



2-Seater: 220 cm // 3-Seater: 240 cm (7'9)

2-Seater: 260 cm (8'5) // 3-Seater: 280 cm (9'2)

### Slim armrests



2-Seater: 240 cm (7'9) // 3-Seater: 260 cm (8'5)



63 cm  
(2'0)

43 cm  
(1'4)

84 cm

(Seat depth up to cushion: 56 cm (1'8))

Short: 160 cm (5'3) / Long: 200 cm (6'6)

(Seat depth up to cushion: 132 cm (4'3) / 172 (5'6) cm)

## Packaging dimensions (identical for all armrest models)

### Chaise Longue short (without sofa bed):

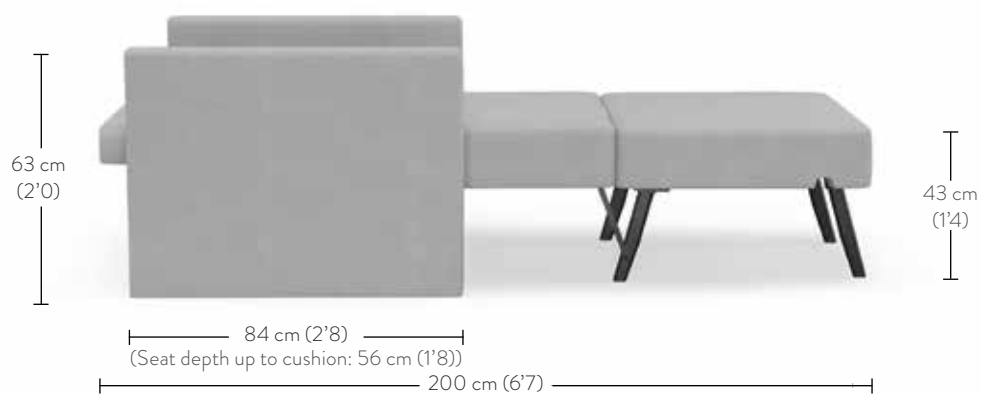
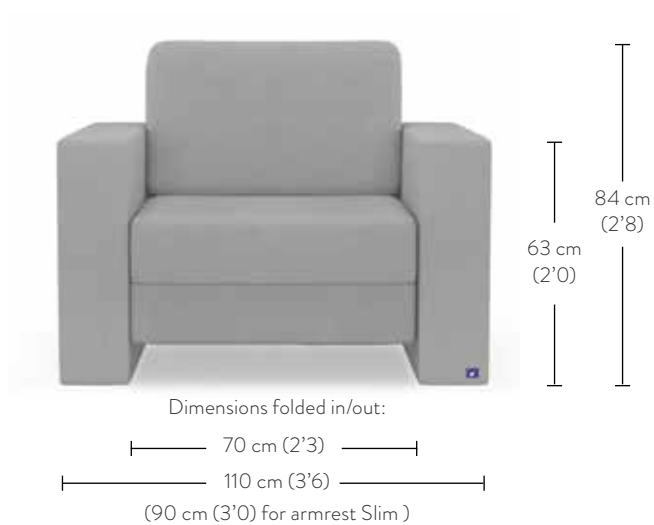
**Corpus:** 163 x 90 x 64 cm (5'3 x 3'0 x 2'1); 69 kg  
Accessory box is in the packaging.

### Chaise Longue long (without sofa bed):

**Korpus:** 203 x 90 x 64 cm (6'7, 3'0, 2'1); 84 kg  
Accessory box is in the packaging.

# The Bruno Chair Bed

## Dimensions



## Packaging dimensions (identical for all armrest models)

**Corpus:** 90 x 75 x 95 cm (3'0 x 2'5 x 3'1); 43 kg

**Accessories box:** 96 x 63 x 40 cm (3'1 x 2'0 x 1'3); 24 kg

# The Bruno Ottoman Storage

## Dimensions



## Packaging dimensions

**140 cm (4'6):** 146 cm x 46 cm x 57 cm (4'8 x 1'5 x 1'9); 36 kg

**160 cm (5'2):** 166 cm x 46 cm x 57 cm (5'4 x 1'5 x 1'9); 40 kg

# The Bruno Ottoman Bed

## Dimensions



## Packaging dimensions

	140 x 200 cm (4'6 x 6'7)	160 x 200 cm (5'2 x 6'7)	180 x 200 cm (5'9 x 6'7)	200 x 200 cm (6'7 x 6'7)
<b>Boxspring Boxes</b>	202 x 143 x 23 cm; 53 kg (6'6 x 4'7 x 0'8)	2 x 80: 202 x 83 x 23 cm; 31 kg (6'6 x 2'7 x 0'8)	2 x 90: 202 x 93 x 23 cm; 33 kg (6'6 x 3'1 x 0'8)	2 x 100: 202 x 103 x 23 cm; 36 kg (6'6 x 4'7 x 0'8)
<b>Mattress (rolled)</b>	165 x 43 x 43 cm; 33 kg (5'4 x 1'4 x 1'4)	165 x 43 x 43 cm; 38 kg (5'4 x 1'4 x 1'4)	190 x 43 x 43 cm; 43 kg (6'2 x 1'4 x 1'4)	210 x 43 x 43 cm; 48 kg (6'9 x 1'4 x 1'4)
<b>Topper (rolled)</b>	105 x 43 x 43 cm; 7 kg (3'4 x 1'4 x 1'4)	105 x 43 x 43 cm; 8 kg (3'4 x 1'4 x 1'4)	105 x 43 x 43 cm; 9 kg (3'4 x 1'4 x 1'4)	105 x 43 x 43 cm; 10 kg (3'4 x 1'4 x 1'4)
<b>Accessories Box</b>	38 x 38 x 19 cm; 5 kg (0'9 x 0'9 x 0'6)	38 x 38 x 19 cm; 5 kg (0'9 x 0'9 x 0'6)	38 x 38 x 19 cm; 5 kg (0'9 x 0'9 x 0'6)	38 x 38 x 19 cm; 5 kg (0'9 x 0'9 x 0'6)
<b>Valance</b>	38 x 38 x 19 cm; 3 kg (0'9 x 0'9 x 0'6)	38 x 38 x 19 cm; 3 kg (0'9 x 0'9 x 0'6)	38 x 38 x 19 cm; 3 kg (0'9 x 0'9 x 0'6)	38 x 38 x 19 cm; 3 kg (0'9 x 0'9 x 0'6)

## Headboards

<b>Opus</b>	147 x 122 x 13 cm; 29 kg (4'8 x 4'0 x 0'4)	167 x 122 x 13 cm; 32 kg (5'5 x 4'0 x 0'4)	187 x 122 x 13 cm; 34 kg (6'1 x 4'0 x 0'4)	207 x 122 x 13 cm; 36 kg (6'8 x 4'0 x 0'4)
<b>Classic</b>	147 x 109 x 11 cm; 14 kg (4'8 x 3'6 x 0'4)	167 x 109 x 11 cm; 17 kg (5'5 x 3'6 x 0'4)	187 x 109 x 11 cm; 18 kg (6'1 x 3'6 x 0'4)	207 x 109 x 11 cm; 19 kg (6'8 x 3'6 x 0'4)
<b>Classic Short</b>	147 x 90 x 11 cm; 11 kg (4'8 x 3'0 x 0'4)	167 x 90 x 11 cm; 14 kg (5'5 x 3'0 x 0'4)	187 x 90 x 11 cm; 15 kg (6'1 x 3'0 x 0'4)	207 x 90 x 11 cm; 17 kg (6'8 x 3'0 x 0'4)
<b>Compact</b>	144 x 49 x 6 cm; 11 kg (4'7 x 3'0 x 0'2)	164 x 49 x 6 cm; 14 kg (5'4 x 3'0 x 0'2)	184 x 49 x 6 cm; 15 kg (6'0 x 3'0 x 0'2)	204 x 49 x 6 cm; 17 kg (6'7 x 3'0 x 0'2)

Delivery via 2-man handling directly to the place of use. Assembly service can be booked as an option when ordering.  
[www.brunointerior.co.uk/boxspringbed](http://www.brunointerior.co.uk/boxspringbed)

# The Bruno Ottoman Bed with storage

## Dimensions



## Packaging dimensions

	160 x 200 cm (5'2 x 6'7)	180 x 200 cm (5'9 x 6'7)	200 x 200 cm (6'7 x 6'7)
<b>Boxspring Boxes</b>	2 x 80: 202 x 83 x 38 cm; 63 kg (6'6 x 2'7 x 1,2)	2 x 90: 202 x 93 x 38 cm; 69,5 kg (6'6 x 3'1 x 1,2)	2 x 100: 202 x 103 x 38 cm; 77 kg (6'6 x 4'7 x 1,2)
<b>Mattress (rolled)</b>	165 x 43 x 43 cm; 38 kg (5'4 x 1'4 x 1'4)	190 x 43 x 43 cm; 43 kg (6'2 x 1'4 x 1'4)	210 x 43 x 43 cm; 48 kg (6'9 x 1'4 x 1'4)
<b>Topper (rolled)</b>	105 x 43 x 43 cm; 8 kg (3'4 x 1'4 x 1'4)	105 x 43 x 43 cm; 9 kg (3'4 x 1'4 x 1'4)	105 x 43 x 43 cm; 10 kg (3'4 x 1'4 x 1'4)
<b>Valance</b>	38 x 38 x 19 cm; 8 kg (0'9 x 0'9 x 0'6)	38 x 38 x 19 cm; 8kg (0'9 x 0'9 x 0'6)	38 x 38 x 19 cm; 8 kg (0'9 x 0'9 x 0'6)

## Headboards

<b>Opus</b>	167 x 122 x 13 cm; 32 kg (5'5 x 4'0 x 0'4)	187 x 122 x 13 cm; 34 kg (6'1 x 4'0 x 0'4)	207 x 122 x 13 cm; 36 kg (6'8 x 4'0 x 0'4)
<b>Classic</b>	167 x 109 x 11 cm; 17 kg (5'5 x 3'6 x 0'4)	187 x 109 x 11 cm; 18 kg (6'1 x 3'6 x 0'4)	207 x 109 x 11 cm; 19 kg (6'8 x 3'6 x 0'4)
<b>Short</b>	167 x 90 x 11 cm; 14 kg (5'5 x 3'0 x 0'4)	187 x 90 x 11 cm; 15 kg (6'1 x 3'0 x 0'4)	207 x 90 x 11 cm; 17 kg (6'8 x 3'0 x 0'4)

Delivery via 2-man handling directly to the place of use. Assembly service can be booked as an option when ordering.  
[www.brunointerior.co.uk/boxspringbed](http://www.brunointerior.co.uk/boxspringbed)

# The Bruno Upholstered Bed

## Dimensions



## Packaging dimensions

	140 x 200 cm (4'6 x 6'7)	160 x 200 cm (5'2 x 6'7)	180 x 200 cm (5'9 x 6'7)	200 x 200 cm (6'7 x 6'7)
<b>Side Bars / Center Bar</b>	206 x 30 x 16,5 cm; 25 kg (6'8 x 1'0 x 0'5)	206 x 30 x 16,5 cm; 25 kg (6'8 x 1'0 x 0'5)	206 x 30 x 16,5 cm; 25 kg (6'8 x 1'0 x 0'5)	206 x 30 x 16,5 cm; 25 kg (6'8 x 1'0 x 0'5)
<b>Mattress (rolled)</b>	165 x 43 x 43 cm; 33 kg (5'4 x 1'4 x 1'4)	165 x 43 x 43 cm; 38 kg (5'4 x 1'4 x 1'4)	190 x 43 x 43 cm; 43 kg (6'2 x 1'4 x 1'4)	210 x 44 x 44 cm; 48 kg (6'9 x 1'4 x 1'4)
<b>Topper (rolled)</b>	105 x 43 x 43 cm; 7 kg (3'4 x 1'4 x 1'4)	105 x 43 x 43 cm; 8 kg (3'4 x 1'4 x 1'4)	105 x 43 x 43 cm; 9 kg (3'4 x 1'4 x 1'4)	105 x 43 x 43 cm; 10 kg (3'4 x 1'4 x 1'4)
<b>Headboard</b>	154 x 12,5 x 110 cm; 18 kg (5'1 x 0'4 x 3'6)	174 x 12,5 x 110 cm; 21 kg (5'7 x 0'4 x 3'6)	194 x 12,5 x 110 cm; 22 kg (6'4 x 0'4 x 3'6)	214 x 12,5 x 110 cm; 26 kg (5'1 x 0'4 x 7'0)
<b>Front Bar</b>	154,5 x 22 x 7 cm; 8 kg (5'1 x 0'7 x 0'2)	174,5 x 22 x 7 cm; 9 kg (5'7 x 0'7 x 0'2)	194,5 x 22 x 7 cm; 10 kg (6'4 x 0'7 x 0'2)	214,5 x 22 x 7 cm; 12 kg (7'0 x 0'7 x 0'2)
<b>Valance / Support Aids</b>	38 x 38 x 19 cm; 1 kg (0'9 x 0'9 x 0'6)	38 x 38 x 19 cm; 1 kg (0'9 x 0'9 x 0'6)	38 x 38 x 19 cm; 1 kg (0'9 x 0'9 x 0'6)	38 x 38 x 19 cm; 1 kg (0'9 x 0'9 x 0'6)
<b>Slatted Frame</b>	140 x 202 x 9 cm; 26 kg (4'6 x 6'6 x 0'3)	2x 80 x 202 x 9 cm; 15 kg (2'6 x 6'6 x 0'3)	2x 90 x 202 x 9 cm; 32 kg (3'0 x 6'6 x 0'3)	2x 100 x 202 x 9 cm; 19 kg (3'3 x 6'6 x 0'3)
<b>Accessories Box</b>	38 x 38 x 19 cm; 4 kg (0'9 x 0'9 x 0'6)	38 x 38 x 19 cm; 4 kg (0'9 x 0'9 x 0'6)	38 x 38 x 19 cm; 4 kg (0'9 x 0'9 x 0'6)	38 x 38 x 19 cm; 4 kg (0'9 x 0'9 x 0'6)

Delivery via 2-man handling directly to the place of use. Assembly service can be booked as an option when ordering.  
[www.brunointerior.co.uk/upholsteredbed](http://www.brunointerior.co.uk/upholsteredbed)



# The Bruno 'Berlin' Metal Bed

## Dimensions

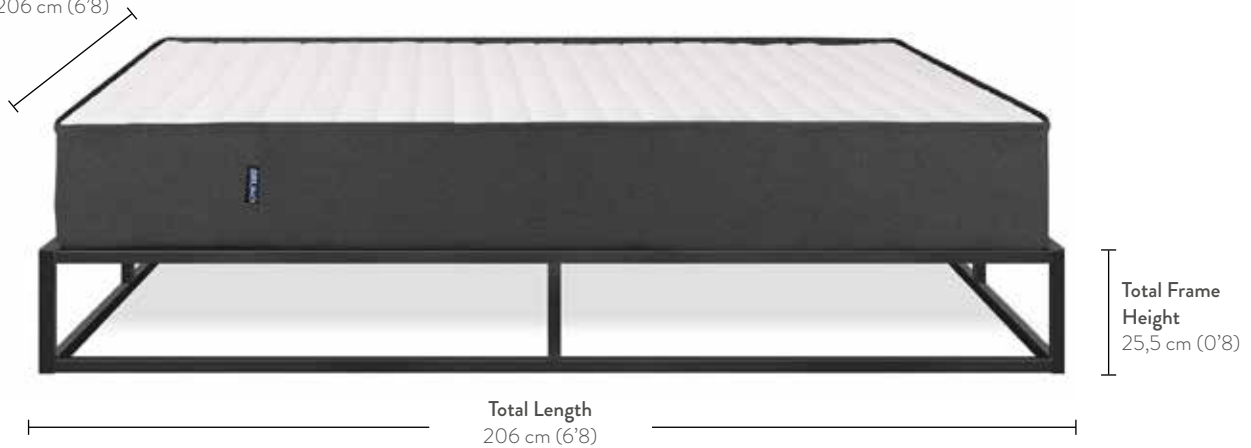
### Total Width (+ 6 cm (0'2))

140er: 146 cm (4'8)

160er: 166 cm (5'4)

180er: 186 cm (6'1)

200er: 206 cm (6'8)



## Packaging dimensions

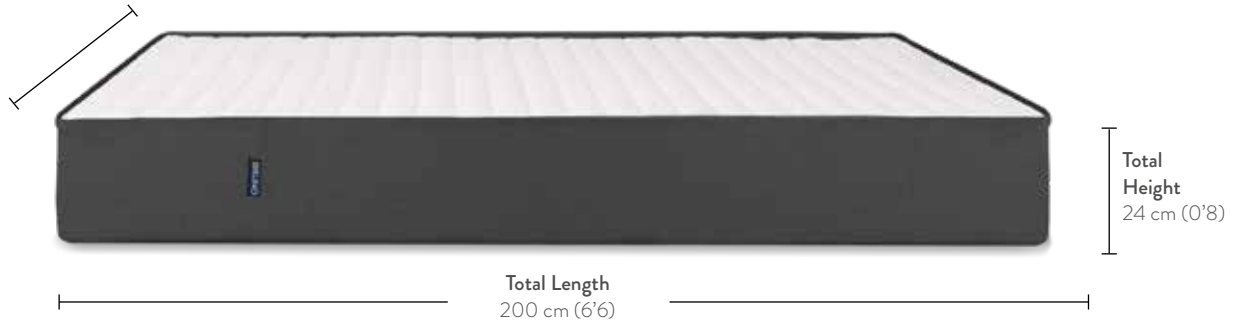
	140 x 200 cm (4'6 x 6'7)	160 x 200 cm (5'2 x 6'7)	180 x 200 cm (5'9 x 6'7)	200 x 200 cm (6'7 x 6'7)
<b>Side Part</b>	204 x 32 x 12 cm; 28 kg (6'7 x 1'0 x 0'4)	204 x 32 x 12 cm; 28 kg (6'7 x 1'0 x 0'4)	204 x 32 x 12 cm; 28 kg (6'7 x 1'0 x 0'4)	204 x 32 x 12 cm; 28 kg (6'7 x 1'0 x 0'4)
<b>Cross Section</b>	150 x 26 x 13,5 cm; 14 kg (4'9 x 0'9 x 0'4)	170 x 26 x 13 cm; 16 kg (5'6 x 0'9 x 0'4)	190 x 26 x 13 cm; 18 kg (6'2 x 0'9 x 0'4)	210 x 26 x 13 cm; 19 kg (6'9 x 0'9 x 0'4)
<b>Mattress (rolled)</b>	165 x 43 x 43 cm; 33 kg (5'4 x 1'4 x 1'4)	165 x 43 x 43 cm; 38 kg (5'4 x 1'4 x 1'4)	190 x 43 x 43 cm; 43 kg (6'2 x 1'4 x 1'4)	210 x 43 x 43 cm; 48 kg (6'9 x 1'4 x 1'4)
<b>Topper (rolled)</b>	105 x 43 x 43 cm; 7 kg (3'4 x 1'4 x 1'4)	105 x 43 x 43 cm; 8 kg (3'4 x 1'4 x 1'4)	105 x 43 x 43 cm; 9 kg (3'4 x 1'4 x 1'4)	105 x 43 x 43 cm; 10 kg (3'4 x 1'4 x 1'4)
<b>Slatted Frame</b>	141 x 36 x 5 cm; 13 kg (4'6 x 1'2 x 0'2)	2 x 80: 91 x 33 x 11 cm; 10 kg (3'0 x 1'1 x 0'4)	2 x 90: 91 x 33 x 11 cm; 11 kg (3'0 x 1'1 x 0'4)	2 x 100: 101 x 33 x 11 cm; 12 kg (3'3 x 1'1 x 0'4)

Delivery via 2-man handling directly to the place of use. Assembly service can be booked as an option when ordering.  
[www.brunointerior.co.uk/berlinbed](http://www.brunointerior.co.uk/berlinbed)

# The Bruno Mattress

## Dimensions

**Total Width**  
80/90/100/140  
160/180/200 cm  
(2'6"/3'0"/3'3"/4'6"/5'2"/5'9"/6'6")



## Packaging dimensions

Mattress Sizes	80 x 200 cm (2'6 x 6'6)	90 x 200 cm (3'0 x 6'6)	100 x 200 cm (3'3 x 6'6)	140 x 200 cm (4'6 x 6'6)	160 x 200 cm (5'2 x 6'6)	180 x 200 cm (5'9 x 6'6)	200 x 200 (6'6 x 6'6)
Mattress (rolled)	105 x 43 x 43 cm (3'4 x 1'4 x 1'4)	105 x 43 x 43 cm (3'4 x 1'4 x 1'4)	105 x 43 x 43 cm (3'4 x 1'4 x 1'4)	165 x 43 x 43 cm (5'4 x 1'4 x 1'4)	165 x 43 x 43 cm (5'4 x 1'4 x 1'4)	190 x 43 x 43 cm (6'2 x 1'4 x 1'4)	210 x 43 x 43 cm (6'9 x 1'4 x 1'4)
Weight	19 kg	22 kg	24 kg	33 kg	38 kg	43 kg	48 kg

Delivery by DHL for sizes 80/90/100 cm, by 2-man handling for sizes 140/160/180/200 cm directly to the place of use.  
[www.brunosleep.co.uk/mattress](http://www.brunosleep.co.uk/mattress)

# The Bruno Topper

## Dimensions

**Height:** 6 cm (0'2)



## Packaging dimensions

overall dimensions (W x L)	80 x 200 cm (2'6 x 6'6)	90 x 200 cm (3'0 x 6'6)	100 x 200 cm (3'3 x 6'6)	140 x 200 cm (4'6 x 6'6)	160 x 200 cm (5'2 x 6'6)	180 x 200 cm (5'9 x 6'6)	200 x 200 cm (6'6 x 6'6)
Topper (rolled)	105 x 43 x 43 cm (3'4 x 1'4 x 1'4)	105 x 43 x 43 cm (3'4 x 1'4 x 1'4)	105 x 43 x 43 cm (3'4 x 1'4 x 1'4)	105 x 43 x 43 cm (3'4 x 1'4 x 1'4)	105 x 43 x 43 cm (3'4 x 1'4 x 1'4)	105 x 43 x 43 cm (3'4 x 1'4 x 1'4)	105 x 43 x 43 cm (3'4 x 1'4 x 1'4)
Weight	4 kg	4.5 kg	5 kg	7 kg	8 kg	9 kg	10 kg

[www.brunointerior.co.uk/topper](http://www.brunointerior.co.uk/topper)



[www.brunointerior.co.uk](http://www.brunointerior.co.uk)

0203 608 6500

Mo-Fr: 08:00am – 05:00pm